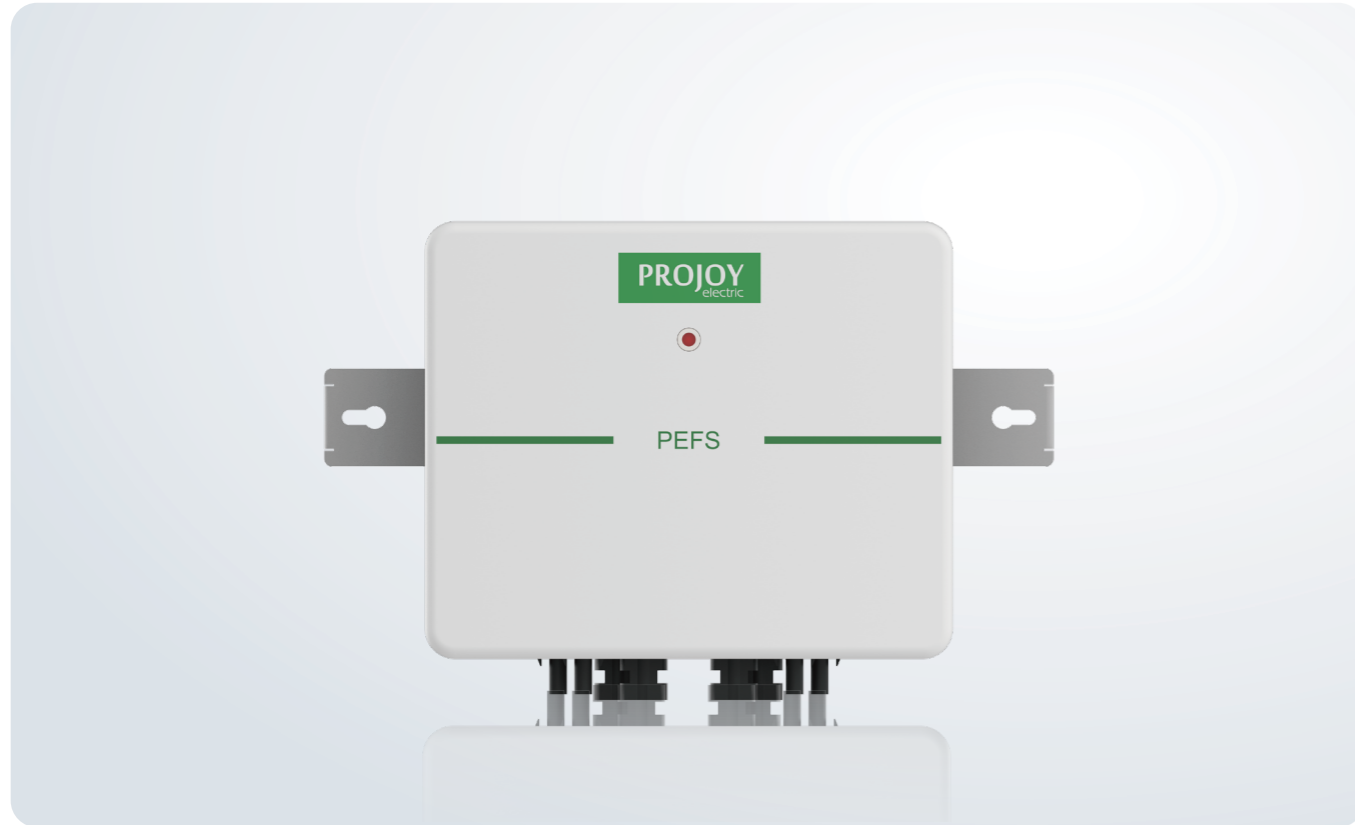


PEFS Series *Rapid Shutdown (1-2 strings)-P2*



High Craftsmanship and Standards



Small volume



Flame retardant material



Anti-UV



Outdoor installation IP66



Easy to install



Service life 25 years



High reliability



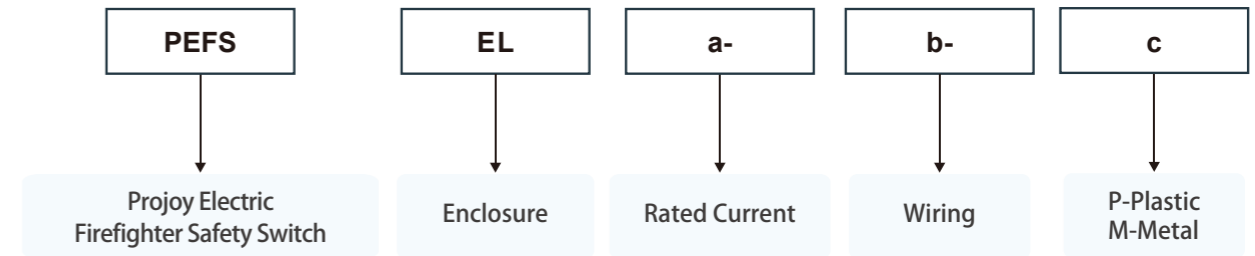
OV output physical isolation



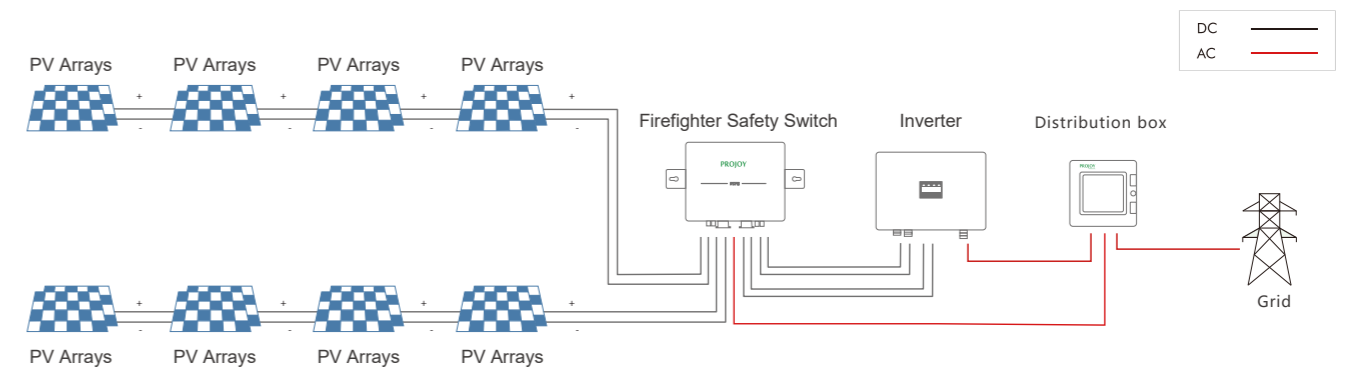
Multiple shutdown methods over temperature/loss of pressure /emergency shutdown



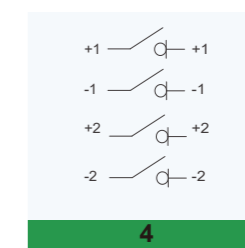
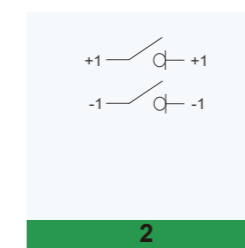
Select Code



Diagram



Contact Configuration



Technical data

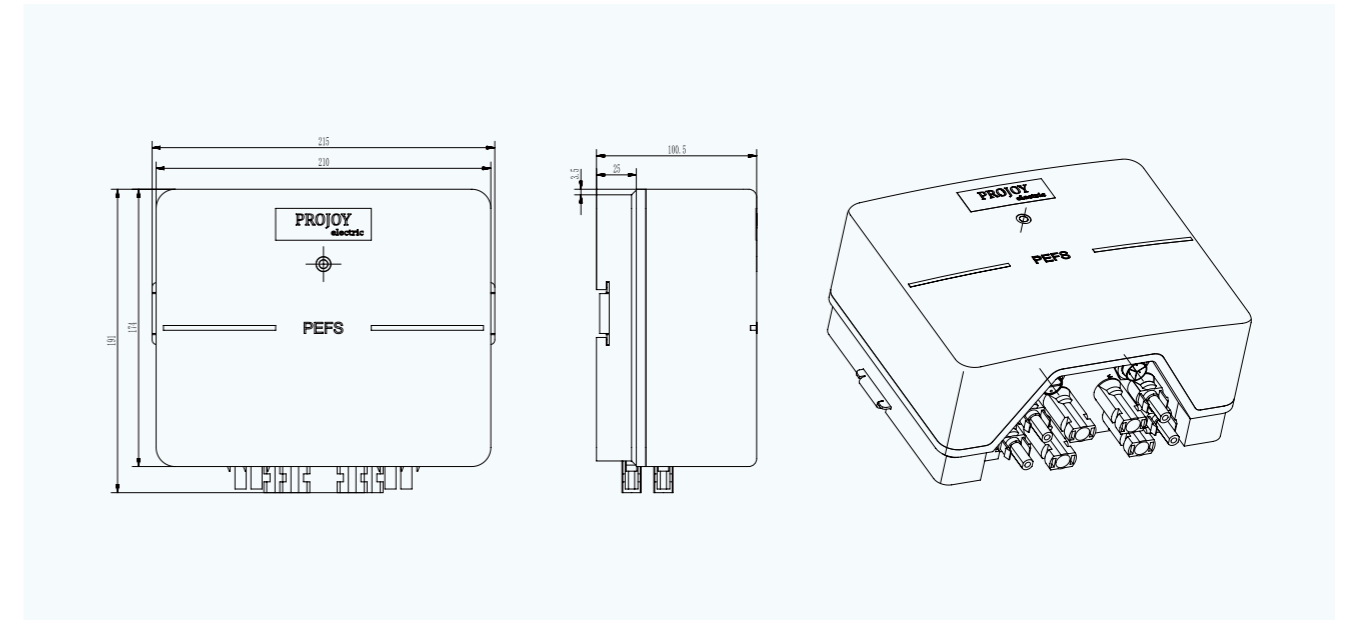
Technical Parameter	
Main Parameters	PEFS-P2
String voltages (Vdc)	300~1500
String current (A)	9~55
Number of strings	1/2
Switch wiring	2/4
Operating voltage	100Vac - 270Vac
Nominal voltage	230Vac
Nominal current	30mA
Start up (loading) current	average 100mA
Switch on action current	max 300mA
Feedback contact	24Vdc - 300mA max
Operating temperature range	-20°C - +50°C
Max. operating temperature before automatic switch off	+70°C
Storage temperature range	-40°C - +85°C
Protection degree	IP66
Protection level	Class II
Certification	CE
DC Switch disconnect according to	EN 60947-1&3
Number of operations	10000
Number of operations under load (PV1)	>1500

Technical data

Data of PEFS refer to built-in DC isolators. Data according to IEC60947-3(ed.3.2):2015, UL508i. Utilization category DC-PV1.								Poles	No. of Strings	Part Number
300V	600V	700V	800V	900V	1000V	1200V	1500V			
16	16	16	16	13	9	6	3	2/4	1/2	PEFS-EL16-2/4
25	25	23	22	16	11	8	4	2/4	1/2	PEFS-EL25-2/4
32	32	27	26	20	13	10	5	2/4	1/2	PEFS-EL32-2/4
40	40	35	30	25	20	10	6	2/4	1/2	PEFS-EL40-2/4
55	55	55	45	35	25	15	8	2/4	1/2	PEFS-EL55-2/4
50	50	50	50	50	50	40	30	2/4	1/2	PEFS-EL50H-2/4
40	40	40	40	40	40	30	20	2/4	1/2	PEFS-EL40H-2/4

Dimensions of PEFS

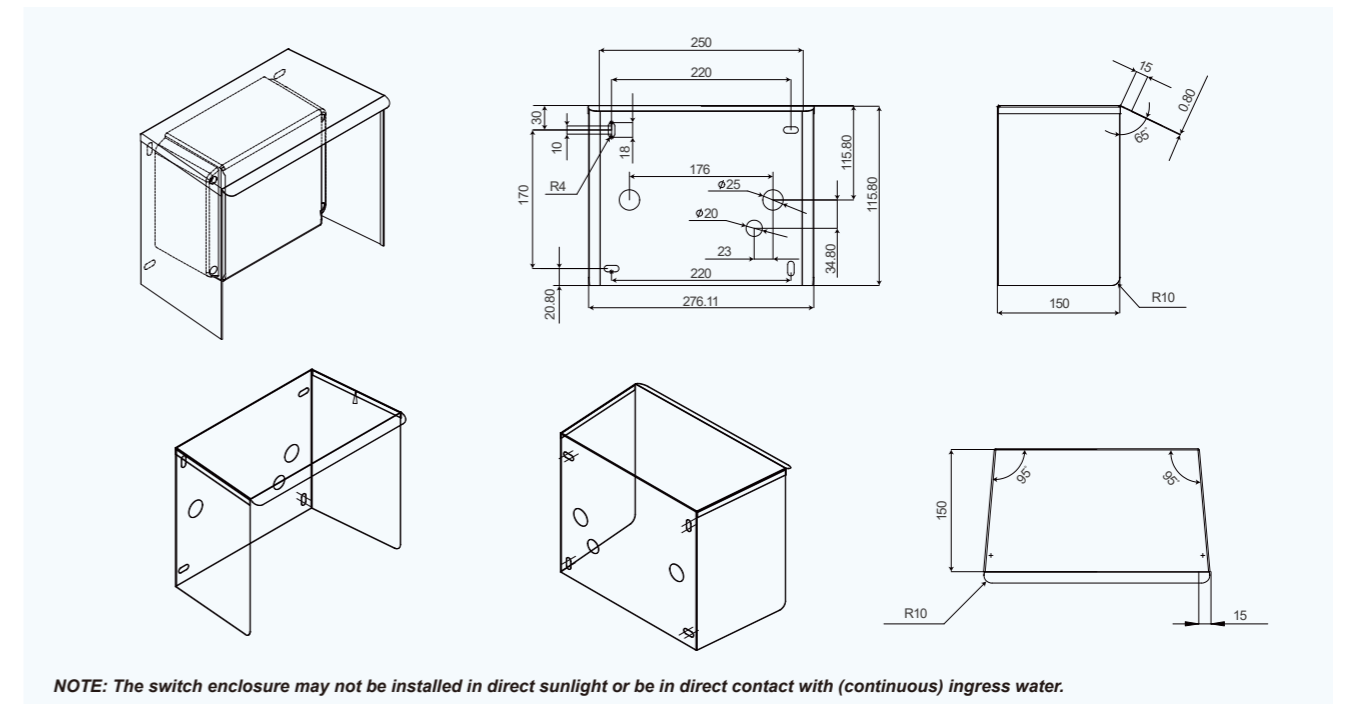
Dimensions



Dimensions of PEFS

PEFS-P2

Dimensions



NOTE: The switch enclosure may not be installed in direct sunlight or be in direct contact with (continuous) ingress water.