



CIRCUIT BREAKER 230/400V 6KA, 1POLE, B, 20A

Similar to image

Technical data:

| | | |
|---|----|-----|
| mounting position | | any |
| Height | mm | 90 |
| Width | mm | 18 |
| Depth | mm | 76 |
| Mounting depth | mm | 70 |
| Current / for AC / rated value | A | 20 |
| Tripping characteristic class | | B |
| Supply voltage | | |
| • for AC / rated value | V | 400 |
| • with single-phase operation / with AC / rated value | V | 230 |
| • with multi-phase operation / with AC / rated value | V | 400 |
| Supply voltage frequency / rated value | Hz | 50 |
| Operating voltage | | |
| • minimum | V | 24 |
| • with single-phase operation / with AC / maximum | V | 250 |
| • with multi-phase operation / with AC / maximum | V | 440 |
| • for DC / rated value / maximum | V | 60 |
| Number of poles | | 1 |

| | | |
|--|-----------------|---------------------------------------|
| Number of poles /note | | 1P |
| Switching capacity current | | |
| • in accordance with IEC 60947-2 / rated value | kA | 6 |
| • acc. to EN 60898 / rated value | kA | 6 |
| Active power loss / at rated value current / with AC / in warm operating state / per pole | W | 2.1 |
| Number of pitch units for width | | 1 |
| Product feature / sealable | | Yes |
| Protection class IP | | IP20, with connected conductors |
| Degree of pollution | | 2 |
| Influence of the surrounding temperature | | Periodically +55°C, max. 95% humidity |
| Ambient temperature | °C | -25 ... +45 |
| Ambient temperature / during storage | °C | -40 ... +75 |
| Mechanical operating cycles as operating time / typical | | 20,000 |
| Product equipment / touch-protection | | Yes |
| type of voltage | | AC/DC |
| Insulation voltage | | |
| • with single-phase operation / with AC / rated value | V | 440 |
| • with multi-phase operation / with AC / rated value | V | 440 |
| Conductor cross-section that can be connected | | |
| • solid | mm ² | 0.75 ... 35 |
| • multibrin | mm ² | 0.75 ... 35 |
| • finely stranded | | |
| • with wire end processing | mm ² | 0.75 ... 25 |
| Tightening torque | | |
| • with screw-type terminals | N·m | 2.5 ... 3 |
| Product feature | | |
| • [not supplied - silicon-free] | | Yes |
| • halogen-free | | Yes |
| Number of test cycles / for environmental testing / in accordance with IEC 60068-2-30 | | 6 |
| Item designation / according to DIN EN 61346-2 | | F |
| Device tag / according to DIN EN 81346-2 | | F |

Certificates/approvals:



[other](#)



other

[other](#)

Further information:

Information- and Downloadcenter (Catalogs, Brochures,...)

<http://www.siemens.com/lowvoltage/catalogs>

Industry Mall (Online ordering system)

<http://www.siemens.com/lowvoltage/mall>

Service&Support (Manuals, Certificates, Characteristics, FAQs,...)

<http://support.automation.siemens.com/WW/view/en/5SL6120-6/all>

Image database (product images, 2D dimension drawings, 3D models, device circuit diagrams, ...)

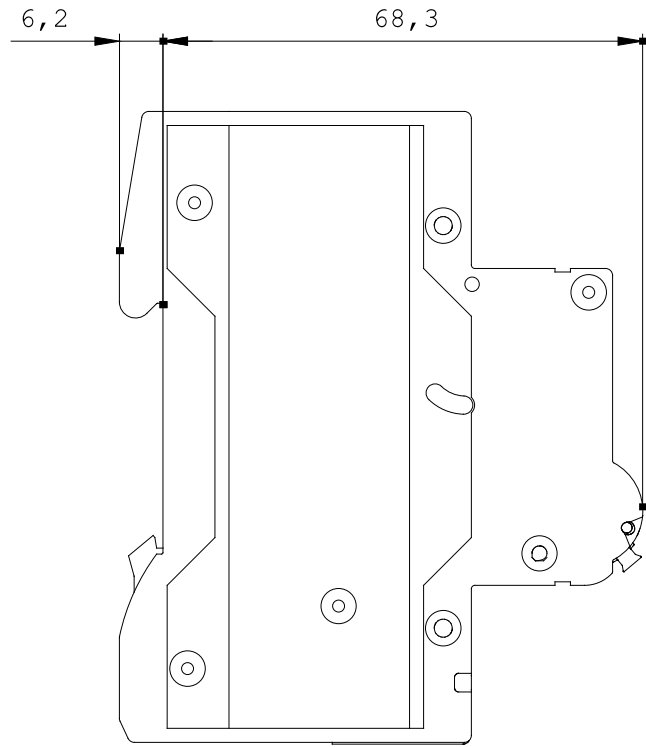
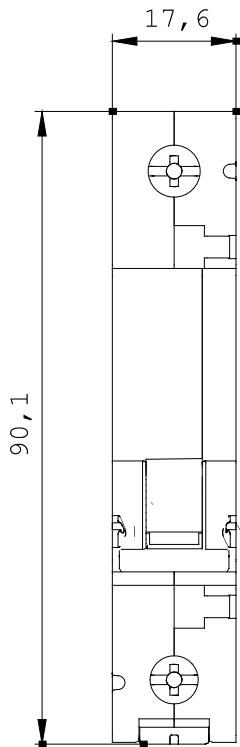
http://www.automation.siemens.com/bilddb/cax_en.aspx?mlfb=5SL6120-6

CAX-Online-Generator

<http://www.siemens.com/cax>

Tender specifications

[Datanorm GAEB81 GAEB83 RTF TXT](#)



last change:

Feb 18, 2013